



# Heavy Duty RFI Power Line Filters WCF Series

### Operating Temperature:

-55°C to +125°C

### Operating Voltage:

250 VAC, 0-60 Hz, 600 VDC

### Dielectric Strength:

1200 VDC @ +25°C, 50 mA 500 maximum charging current.

### Insulation Resistance:

500 megohms minimum with 200 VDC, 50 mA maximum charging current, @ +25 after 2 minutes.

### Insertion Loss:

In accordance with typical insertion loss curves on page 30.

### Housing (Hermetically Sealed):

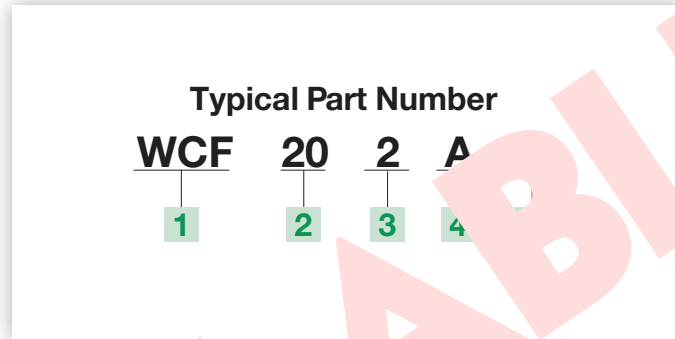
Electro-tin-lead plated.

### Marking:

WEMS, part number, Federal Code identification, voltage, current and date code.

## High Performance

(250 VAC 0-60 Hz, 600 VDC Applications)



## Ordering Information

### 1. Part Number Designation

- 20 = 20 A
- 30 = 30 A
- 50 = 50 A
- 75 = 75 A
- 100 = 100 A

### 3. Case Terminal Shielding

Filter cases are designed with terminals shielded against radiated RFI. Filters are offered with one or both ends shielded and are designated as follows:

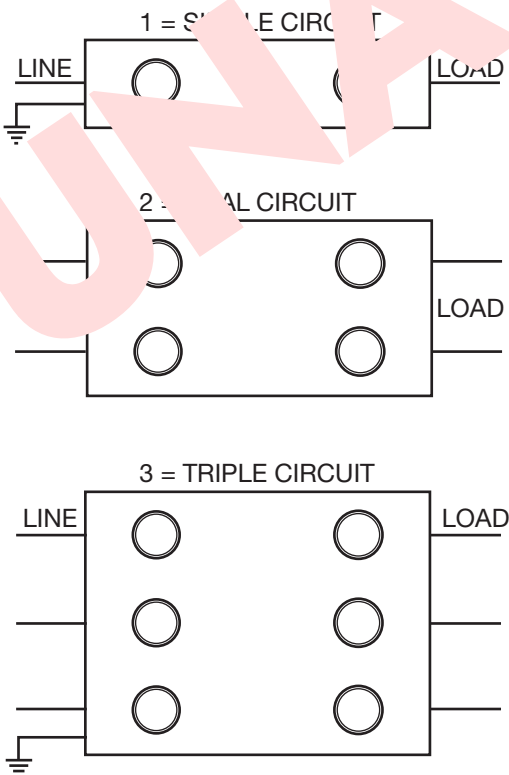
- 1 = one shielded end
- 2 = two shielded ends

### 4. Attenuation Curve and Case Size

WCF filters are offered at three noise rejection levels to supply the desired attenuation. Attenuation and circuit requirements control physical size and weight.

### 5. Single, Dual or Triple Circuits

- 1 = Single
- 2 = Dual
- 3 = Triple

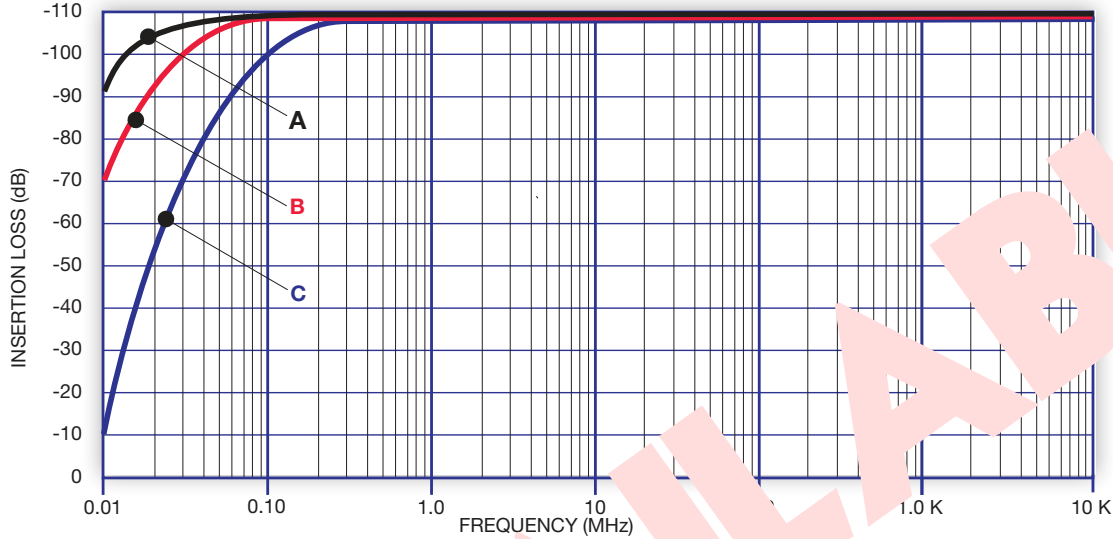


# Heavy Duty RFI Power Line Filters WCF Series



## High Performance (250 VAC 0-60 Hz, 600 VDC Applications)

INSERTION LOSS CURVES (TYPICAL) MEASURED IAW MIL-STD-220 (UNDER LOAD CONDITIONS)  
GREATER THAN 100dB THROUGH 10 GHz



### SINGLE CIRCUIT

SINGLE PHASE, 2 WIRE, ONE LINE GROUNDED  
250 VAC / 600 VDC —0-60 HZ

H = 4.0"  
W = 3.75"  
L = SEE CHART

MAXIMUM CURRENT (AMPERES)	CURVE A (100 Db @ 14 Khz)			CURVE B (100 Db @ 30 Khz)			CURVE C (100 Db @ 100 Khz)		
	PART NUMBER	L"	APPROXIMATE WEIGHT, LBS	PART NUMBER	L"	APPROXIMATE WEIGHT, LBS	PART NUMBER	L"	APPROXIMATE WEIGHT, LBS
20	WCF202A1	20	19	WCF202B1	16	14	WCF202C1	16	9
30	WCF302A1	20	21	WCF302B1	16	16	WCF302C1	16	11
50	WCF502A1	25	25	WCF502B1	20	20	WCF502C1	20	15
75	WCF752A1	25	25	WCF752B1	20	21	WCF752C1	20	16
100	WCF1002A1	28	35	WCF1002B1	25	30	WCF1002C1	20	25

### DUAL CIRCUIT

SINGLE PHASE, 2 WIRE, ONE LINE GROUNDED  
250 VAC / 600 VDC —0-60 HZ

H = 4.0"  
W = 7.5"  
L = SEE CHART

MAXIMUM CURRENT (AMPERES)	CURVE A (100 Db @ 14 Khz)			CURVE B (100 Db @ 30 Khz)			CURVE C (100 Db @ 100 Khz)		
	PART NUMBER	L"	APPROXIMATE WEIGHT, LBS	PART NUMBER	L"	APPROXIMATE WEIGHT, LBS	PART NUMBER	L"	APPROXIMATE WEIGHT, LBS
2 x 20	WCF202A2	20	34	WCF202B2	16	24	WCF202C2	16	12
2 x 30	WCF302A2	20	39	WCF302B2	16	29	WCF302C2	16	19
2 x 50	WCF502A2	25	44	WCF502B2	20	34	WCF502C2	20	24
2 x 75	WCF752A2	25	49	WCF752B2	20	39	WCF752C2	20	29
2 x 100	WCF1002A2	28	59	WCF1002B2	25	49	WCF1002C2	20	39

### TRIPLE CIRCUIT

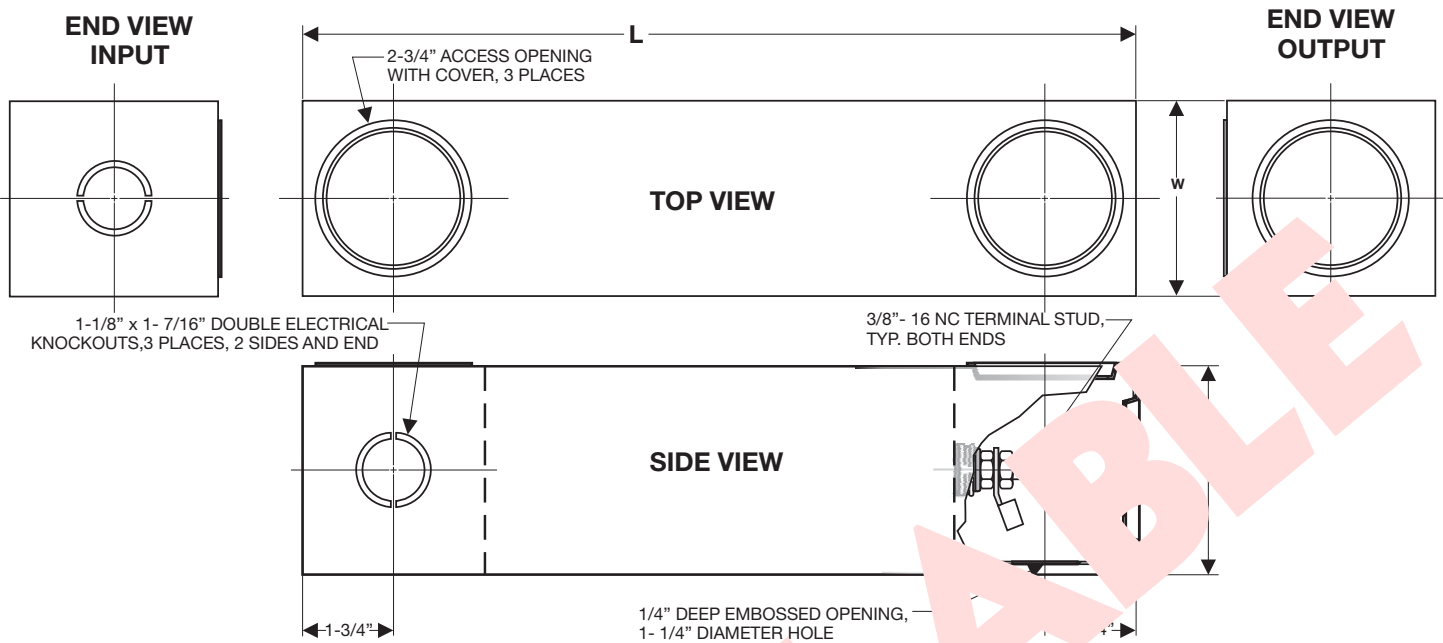
SINGLE PHASE, 2 WIRE, ONE LINE GROUNDED  
250 VAC / 600 VDC —0-60 HZ

H = 4.0"  
W = 11.25"  
L = SEE CHART

MAXIMUM CURRENT (AMPERES)	CURVE A (100 Db @ 14 Khz)			CURVE B (100 Db @ 30 Khz)			CURVE C (100 Db @ 100 Khz)		
	PART NUMBER	L"	APPROXIMATE WEIGHT, LBS	PART NUMBER	L"	APPROXIMATE WEIGHT, LBS	PART NUMBER	L"	APPROXIMATE WEIGHT, LBS
3 x 20	WCF202A3	20	57	WCF202B3	16	42	WCF202C3	16	27
3 x 30	WCF302A3	20	63	WCF302B3	16	48	WCF302C3	16	33
3 x 50	WCF502A3	25	75	WCF502B3	20	60	WCF502C3	20	45
3 x 75	WCF752A3	25	78	WCF752B3	20	63	WCF752C3	20	48
3 x 100	WCF1002A3	28	105	WCF1002B3	25	90	WCF1002C3	20	75

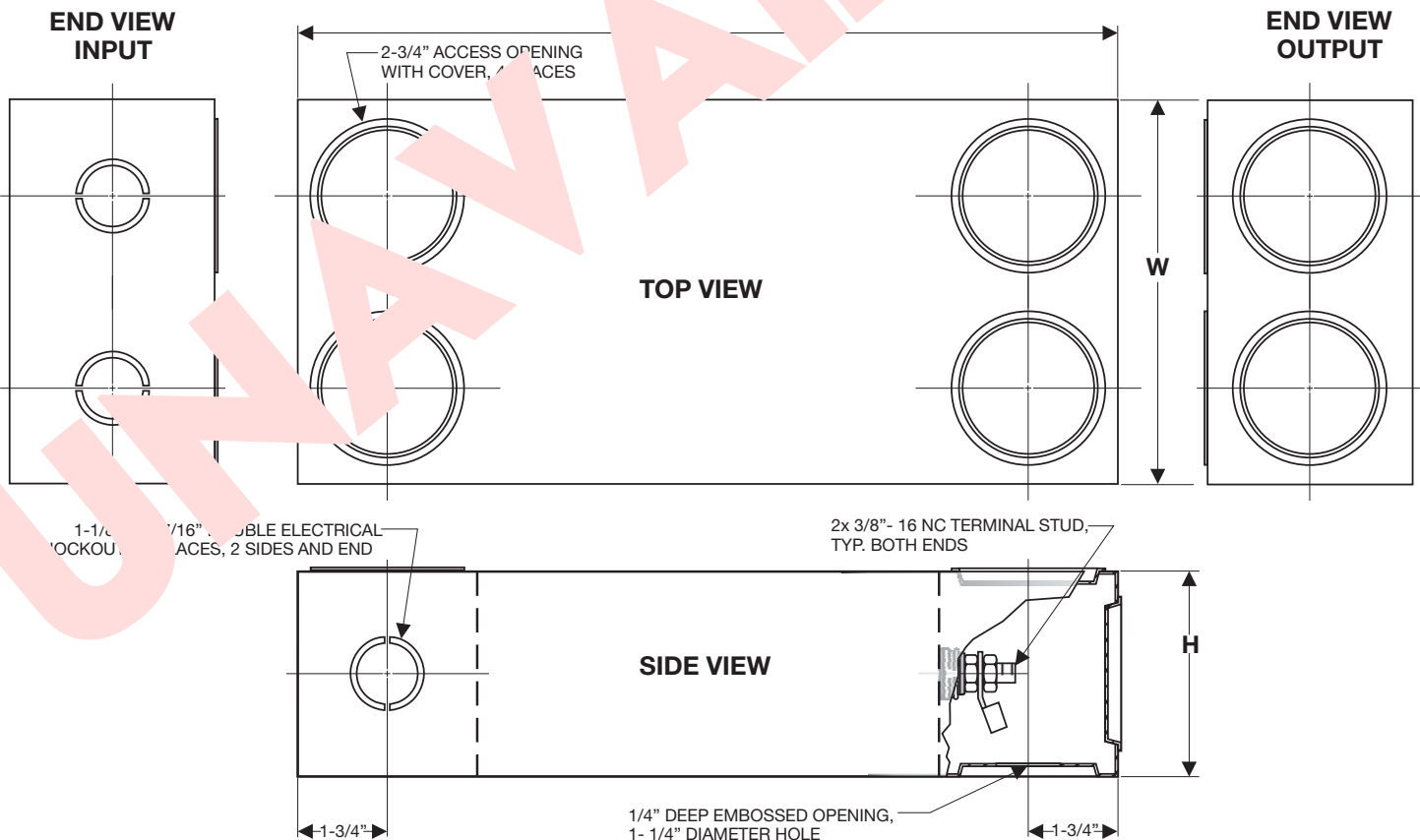
## Single Circuit

Detailed dimensions are listed in table on page 30.



## Dual Circuit

Detailed dimensions are listed in table on page 30.

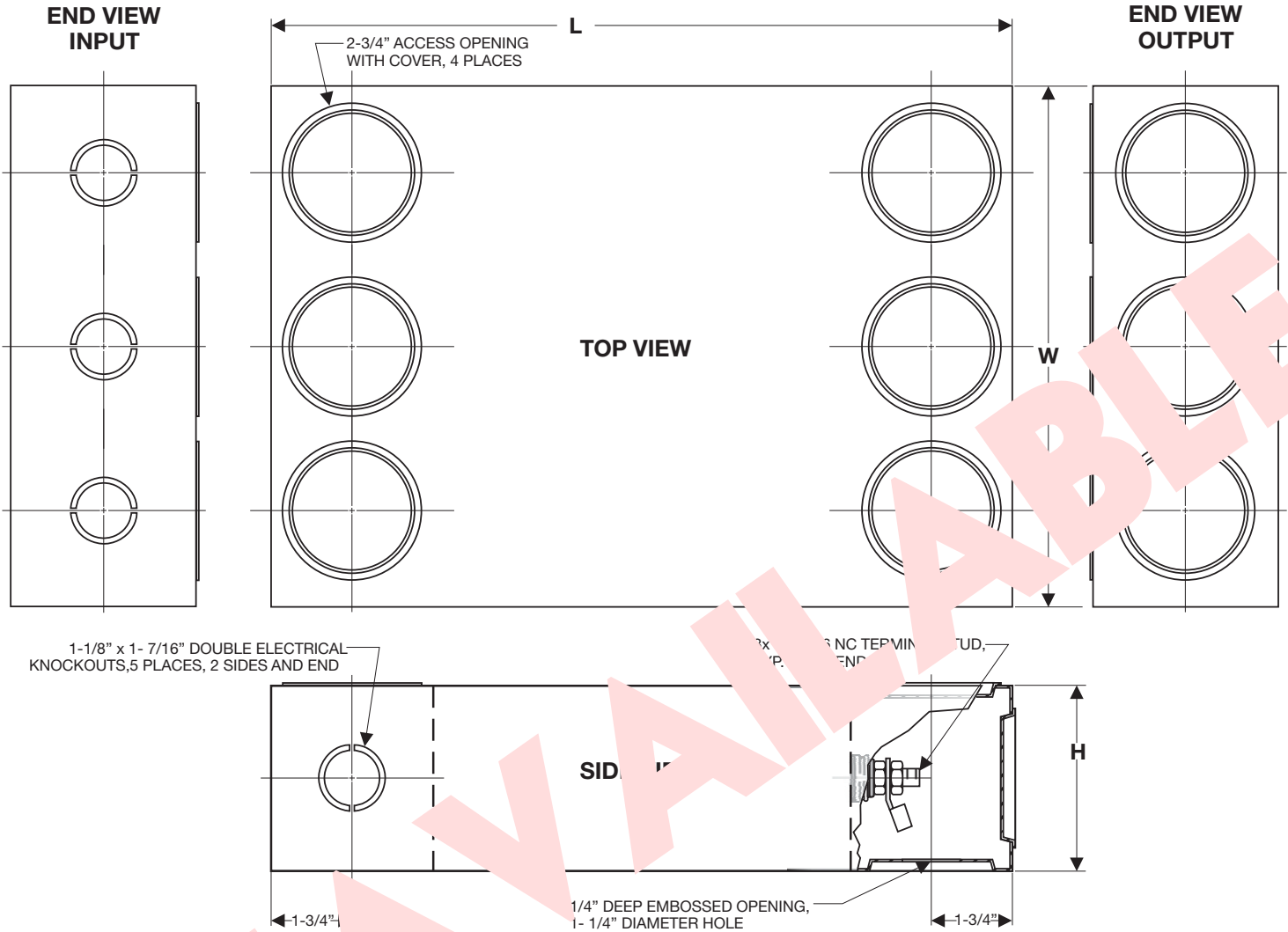


# Heavy Duty RFI Power Line Filters WCF Series



## Triple Circuit

Detailed dimensions are listed in table on page 30.



## Applications

WEMS Heavy Duty RFI Power Line Filters are offered in 45 standard models. These proven power line filters are rated from 20 amperes to 100 amperes. Filters are available for use on single, dual and triple circuits offering a substantial savings in installation when total power requirements reach this circuit level. Special coil designs within each filter offer maximum heat dissipation when operating requirements are constant and load conditions are at full rating.

Covers to terminal compartments are easily removed for installation, maintenance or inspection purposes. Covers reseal tightly to maintain proper shielding. Convenient knockouts are placed at readily accessible locations for required access to the terminal areas. Hermetically sealed cases are fabricated from 16 gauge cold rolled steel and electro tin-lead plated. Terminal hardware is provided with each filter.